

10G-SFPP-SR-COM

10Gbps SFP+ Optical Transceiver, 300m Reach

Features

- Optical interface compliant to IEEE 802.3ae 10GBASE-SR
- Electrical interface compliant to SFF-8431
- Hot Pluggable
- 850nm VCSEL transmitter, PIN photo-detector
- Maximum link length of 300m on 2000MHz/km MMF
- Operating case temperature: 0 to 70°C
- Low power consumption
- All-metal housing for superior EMI performance
- Advanced firmware allows customer system encryption information to be stored in transceiver
- Cost effective SFP+ solution, enables higher port densities and greater bandwidth

Applications

- 10GBASE-SR at 10.3125Gbps
- 10GBASE-SW at 9.953Gbps
- Other optical links

Product description

This 850 nm VCSEL 10Gigabit SFP+ transceiver is designed to transmit and receive optical data over 50/125 μm or 62.5/125 μm multimode optical fiber (Table 1).

| Fiber type | Minimum modal bandwidth @ 850 nm (MHz*km) | Operating range (meters) |
|-------------|---|--------------------------|
| 62.5 μm MMF | 160 | 2 to 26 |
| | 200 | 2 to 33 |
| 50 μm MMF | 400 | 2 to 66 |
| | 500 | 2 to 82 |
| | 2000 | 2 to 300 |

Table 1: SFP+ SR Operating Range for each Optical Fiber Type

The SFP+ SR module electrical interface is compliant to SFI electrical specifications. The transmitter input and receiver output impedance is 100 Ohms differential. Data lines are internally AC coupled. The module provides differential termination and reduce differential to common mode conversion for quality signal termination and low EMI. SFI typically operates over 200 mm of improved FR4 material or up to about 150mm of standard FR4 with one connector.

The transmitter converts 10Gbit/s serial PECL or CML electrical data into serial optical data compliant with the 10GBASE-SR standard. An open collector compatible Transmit Disable (Tx_Dis) is provided. A logic "1," or no connection on this pin will disable the laser from transmitting. A logic "0" on this pin provides normal operation. The transmitter has an internal automatic power control loop (APC) to ensure constant optical power output across supply voltage and temperature variations. An open collector compatible Transmit Fault (TFault) is provided. TX_Fault is a module output contacts that when high, indicates that the module transmitter has detected a fault condition related to laser operation or safety. The TX_Fault output contact is an open drain/collector and shall be pulled up to the Vcc_Host in the host with a resistor in the range 4.7-10 kΩ. TX_Disable is a module input contact. When TX_Disable is asserted high or left open, the SFP+ module transmitter output shall be turned off. This contact shall be pulled up to VccT with a 4.7 kΩ to 10 kΩ resistor

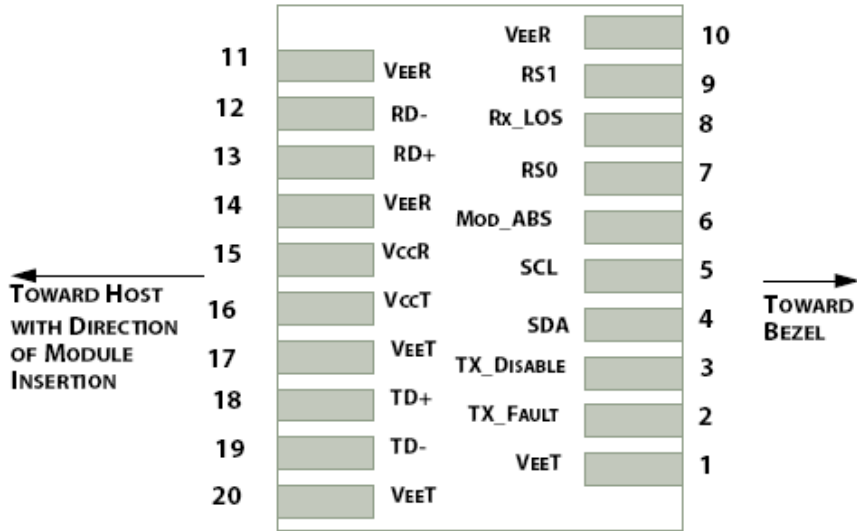


Figure 2: Interface to Host PCB

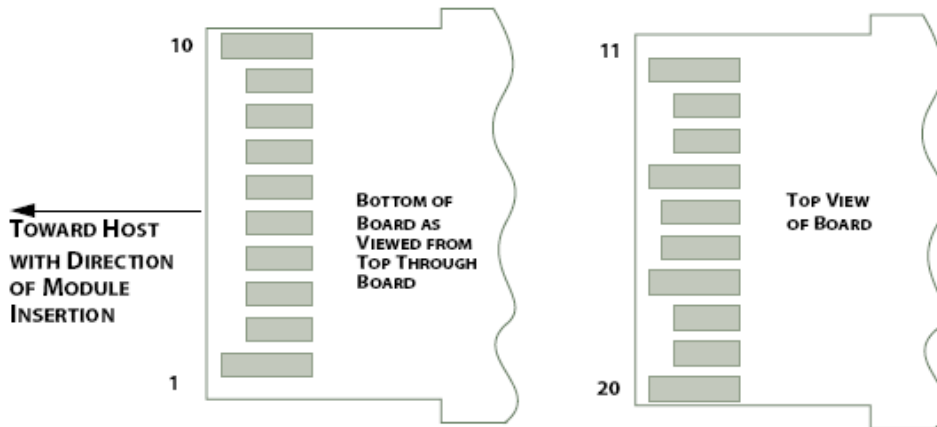


Figure 3: Module Contact Assignment

| <i>Contacts</i> | <i>logic</i> | <i>Symbol</i> | <i>Power Sequence Order</i> | <i>Name/Description</i> |
|-----------------|--------------|---------------|-----------------------------|--|
| 1 | | VeeT | 1st | Module Transmitter Ground |
| 2 | LVTTL-O | TX_Fault | 3rd | Module Transmitter Fault |
| 3 | LVTTL-I | TX_Disable | 3rd | Transmitter Disable; Turns off transmitter laser output |
| 4 | LVTTL-I/O | SDA | 3rd | 2-wire Serial Interface Data Line (Same as MOD-DEF2 in the INF-8074i) |
| 5 | LVTTL-I/O | SCL | 3rd | 2-wire Serial Interface Clock (Same as MOD-DEF1 in the INF-8074i) |
| 6 | | Mod_ABS | 3rd | Module Absent, connected to VeeT or VeeR in the module |
| 7 | LVTTL-I | RS0 | 3rd | Rate Select 0, optionally controls SFP+ module receiver. When high input signaling rate > 4.25 GBd and when low input signaling rate ≤ 4.25 GBd. |
| 8 | LVTTL-O | Rx_LOS | 3rd | Receiver Loss of Signal Indication (In FC designated as Rx_LOS and in Ethernet designated as Signal Detect) |
| 9 | LVTTL-I | RS1 | 3rd | Rate Select 1, optionally controls SFP+ transmitter. When high input signaling rate > 4.25 GBd and when low input signaling rate ≤ 4.25 GBd. |
| 10 | | VeeR | 1st | Module Receiver Ground |
| 11 | | VeeR | 1st | Module Receiver Ground |
| 12 | CML-O | RD- | 3rd | Receiver Inverted Data Output |
| 13 | CML-O | RD+ | 3rd | Receiver Non-Inverted Data Output |
| 14 | | VeeR | 1st | Module Receiver Ground |
| 15 | | VccR | 2nd | Module Receiver 3.3 V Supply |
| 16 | | VccT | 2nd | Module Transmitter 3.3 V Supply |
| 17 | | VeeT | 1st | Module Transmitter Ground |
| 18 | CML-I | TD+ | 3rd | Transmitter Non-Inverted Data Input |
| 19 | CML-I | TD- | 3rd | Transmitter Inverted Data Input |
| 20 | | VeeT | 1st | Module Transmitter Ground |

Table 2: SFP+ Module PIN Definition

Absolute maximum rating

These values represent the damage threshold of the module. Stress in excess of any of the individual Absolute Maximum Ratings can cause immediate catastrophic damage to the module even if all other parameters are within Recommended Operating Conditions.

| Parameters | Symbol | Min. | Max. | Unit |
|----------------------------|------------------|------|------|------|
| Power Supply Voltage | V _{cc} | 0 | +3.6 | V |
| Storage Temperature | T _c | -40 | +85 | °C |
| Operating Case Temperature | T _c | -5 | +75 | °C |
| Relative Humidity | RH | 5 | 95 | % |
| RX Input Average Power | P _{max} | - | 0 | dBm |

Table 3: Absolute Maximum Rating

Recommended operating environment

Recommended Operating Environment specifies parameters for which the electrical and optical characteristics hold unless otherwise noted.

| Parameter | Symbol | Min. | Typical | Max | Unit |
|----------------------------|-----------------|-------|---------|-------|------|
| Power Supply Voltage | V _{CC} | 3.135 | 3.300 | 3.465 | V |
| Operating Case Temperature | T _C | 0 | 25 | 70 | °C |

Table 4: Recommended Operating Environment

Optical characteristics

The following optical characteristics are defined over the Recommended Operating Environment unless otherwise specified.

| Parameter | Symbol | Min. | Typical | Max | Unit | Notes |
|--------------------------------|-------------------|------|---------|--------|-------|-----------------|
| Transmitter | | | | | | |
| Center Wavelength | λ_t | 840 | 850 | 860 | nm | |
| RMS spectral width | P _m | - | - | Note 1 | nm | |
| Average Optical Power | P _{avg} | -6.5 | - | -1 | dBm | 2 |
| Extinction Ratio | ER | 3.5 | - | - | dB | 3 |
| Transmitter Dispersion Penalty | TDP | - | - | 3.9 | dB | |
| Relative Intensity Noise | R _{in} | - | - | -128 | dB/Hz | 12dB reflection |
| Optical Return Loss Tolerance | | - | - | 12 | dB | |
| Receiver | | | | | | |
| Center Wavelength | λ_r | 840 | 850 | 860 | nm | |
| Receiver Sensitivity | P _{sens} | - | - | -11.1 | dBm | 4 |
| Stressed Sensitivity in OMA | | - | - | -7.5 | dBm | 4 |
| Los function | Los | -30 | - | -12 | dBm | |
| Overload | P _{in} | - | - | -1.0 | dBm | 4 |
| Receiver Reflectance | | - | - | -12 | dB | |

Note 1. Trade-offs are available between spectral width, center wavelength and minimum OMA, as shown in table 6.

- 2.The optical power is launched into MMF
- 3.Measured with a PRBS 2³¹-1 test pattern @10.3125Gbps
- 4.Measured with a PRBS 2³¹-1 test pattern @10.3125Gbps, BER≤10⁻¹².

Table 5: Optical Characteristics

| Center Wavelength (nm) | RMS Spectral width (nm) | | | | | | | | |
|------------------------|-------------------------|-------------|-------------|-------------|-------------|-------------|-------------|-------------|-------------|
| | Up to 0.05 | 0.05 to 0.1 | 0.1 to 0.15 | 0.15 to 0.2 | 0.2 to 0.25 | 0.25 to 0.3 | 0.3 to 0.35 | 0.35 to 0.4 | 0.4 to 0.45 |
| 840 to 842 | -4.2 | -4.2 | -4.1 | -4.1 | -3.9 | -3.8 | -3.5 | -3.2 | -2.8 |
| 842 to 844 | -4.2 | -4.2 | -4.2 | -4.1 | -3.9 | -3.8 | -3.6 | -3.3 | -2.9 |
| 844 to 846 | -4.2 | -4.2 | -4.2 | -4.1 | -4.0 | -3.8 | -3.6 | -3.3 | -2.9 |
| 846 to 848 | -4.3 | -4.2 | -4.2 | -4.1 | -4.0 | -3.8 | -3.6 | -3.3 | -2.9 |
| 848 to 850 | -4.3 | -4.2 | -4.2 | -4.1 | -4.0 | -3.8 | -3.6 | -3.3 | -3.0 |
| 850 to 852 | -4.3 | -4.2 | -4.2 | -4.1 | -4.0 | -3.8 | -3.6 | -3.4 | -3.0 |
| 852 to 854 | -4.3 | -4.2 | -4.2 | -4.1 | -4.0 | -3.9 | -3.7 | -3.4 | -3.1 |
| 854 to 856 | -4.3 | -4.3 | -4.2 | -4.1 | -4.0 | -3.9 | -3.7 | -3.4 | -3.1 |
| 856 to 858 | -4.3 | -4.3 | -4.2 | -4.1 | -4.0 | -3.9 | -3.7 | -3.5 | -3.1 |
| 858 to 860 | -4.3 | -4.3 | -4.2 | -4.2 | -4.1 | -3.9 | -3.7 | -3.5 | -3.2 |

Table 6: Minimum 10GBASE-SR OMA as a Function of Wavelength and Spectral Width

Digital Diagnostic Functions

The following digital diagnostic characteristics are defined over the Recommended Operating Environment unless otherwise specified. It is compliant to SFF8472 Rev9.2 with internal calibration mode. For external calibration mode please contact our sales staff.

| Parameter | Symbol | Min. | Max | Unit | Notes |
|---------------------------------------|-----------|-------|-------|------|-----------------------|
| Temperature monitor absolute error | DMI_Temp | -3 | +3 | degC | Over operating temp |
| Laser power monitor absolute error | DMI_TX | -3 | +3 | dB | |
| RX power monitor absolute error | DMI_RX | -3 | +3 | dB | -3dBm to -12dBm range |
| Supply voltage monitor absolute error | DMI_VCC | -0.08 | +0.08 | V | Full operating range |
| Bias current monitor | DMI_Ibias | -10% | 10% | mA | |

Electrical characteristics

The following electrical characteristics are defined over the Recommended Operating Environment unless otherwise specified.

| Parameter | Symbol | Min. | Typical | Max | Unit | Notes |
|---------------------------------------|--------|------|---------|------|------|------------|
| Data Rate | | - | 10.3125 | - | Gbps | |
| Power Consumption | | - | 600 | 800 | mW | |
| Transmitter | | | | | | |
| Single Ended Output Voltage Tolerance | | -0.3 | - | 4.0 | V | |
| C common mode voltage | | 15 | - | - | mV | |
| Tx Input Diff Voltage | VI | 180 | | 1200 | mV | |
| Tx Fault | VoL | -0.3 | | 0.4 | V | At 0.7mA |
| Data Dependent Input Jitter | DDJ | | | 0.10 | UI | |
| Data Input Total Jitter | TJ | | | 0.28 | UI | |
| Receiver | | | | | | |
| Single Ended Output Voltage Tolerance | | -0.3 | - | 4.0 | V | |
| Rx Output Diff Voltage | Vo | 300 | | 850 | mV | |
| Rx Output Rise and Fall Time | Tr/Tf | 30 | | | ps | 20% to 80% |
| Total Jitter | TJ | | | 0.70 | UI | |
| Deterministic Jitter | DJ | | | 0.42 | UI | |

Table 7: Electrical Characteristics

Control and status I/O timing characteristics

Timing characteristics of control and status I/O are included in Table 8, which is also defined in SFF-8431.

| <i>Parameter</i> | <i>Symbol</i> | <i>Min.</i> | <i>Max.</i> | <i>Unit</i> | <i>Conditions</i> |
|-------------------------------------|--------------------|-------------|-------------|-------------|--|
| TX_Disable assert time | t_off | | 100 | µs | rising edge of TX_Disable to fall of output signal below 10% of nominal |
| TX_Disable negate time | t_on | | 2 | ms | Falling edge of Tx_Disable to rise of output signal above 90% of nominal. This only applies in normal operation, not during start up or fault recovery. |
| Time to initialize 2-wire interface | t_2w_start_up | | 300 | ms | From power on or hot plug after the supply meeting Table 8 . |
| Time to initialize | t_start_up | | 300 | ms | From power supplies meeting Table 8 or hot plug or Tx disable negated during power up, or Tx_Fault recovery, until non-cooled power level I part (or non-cooled power level II part already enabled at power level II for Tx_Fault recovery) is fully operational. |
| Time to initialize cooled module | t_start_up_cooled | | 90 | s | From power supplies meeting Table 8 or hot plug, or Tx disable negated during power up or Tx_Fault recovery, until cooled power level I part (or cooled power level II part during fault recovery) is fully operational. |
| Time to Power Up to Level II | t_power_level2 | | 300 | ms | From falling edge of stop bit enabling power level II until non-cooled module is fully operational |
| Time to Power Down from Level II | t_power_down | | 300 | ms | From falling edge of stop bit disabling power level II until module is within power level I requirements |
| TX_Fault assert | TX_Fault_on | | 1 | ms | From occurrence of fault to assertion of TX_Fault |
| TX_Fault assert for cooled module | TX_Fault_on_cooled | | 50 | ms | From occurrence of fault to assertion of TX_Fault |
| TX_Fault Reset | t_reset | 10 | | µs | Time TX_Disable must be held high to reset TX_Fault |
| RS0, RS1 rate select timing for FC | t_RS0_FC, RS1_FC | | 500 | µs | From assertion till stable output |
| RS0, RS1 rate select timing non FC | t_RS0, t_RS1 | | 10 | ms | From assertion till stable output |
| Rx_LOS assert delay | t_los_on | | 100 | µs | From occurrence of loss of signal to assertion of Rx_LOS |
| Rx_LOS negate delay | t_los_off | | 100 | µs | From occurrence of presence of signal to negation of Rx_LOS |

Table 8: Timing Characteristics

Mechanical dimensions:

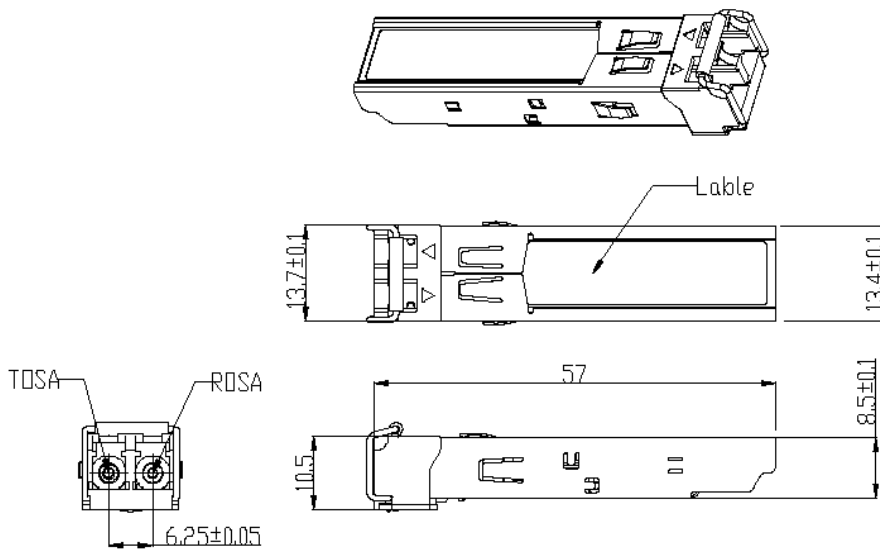


Table 9: Key Mechanical Dimension

ESD

This transceiver is specified as ESD threshold 2kV for all electrical input pins, tested per MIL-STD-883, Method 3015.4 /JESD22-A114-A (HBM). However, normal ESD precautions are still required during the handling of this module. This transceiver is shipped in ESD protective packaging. It should be removed from the packaging and handled only in an ESD protected environment.



10G-SFPP-SR-COM
10GBASE-SR, 850nm, MMF, 300m,
Dual LC, DOM for Brocade

LASER SAFTY

This is a Class 1 Laser Product according to IEC 60825-1:1993+A1:1997+A2:2001. This product complies with 21 CFR 1040.10 and 1040.11 except for deviations pursuant to Laser Notice No. 50, dated (July 26, 2001)

Ordering information

| Part Number | Product Description |
|-----------------|----------------------------------|
| 10G-SFPP-SR-COM | 850nm, 10Gbps, 300m, 0°C ~ +70°C |